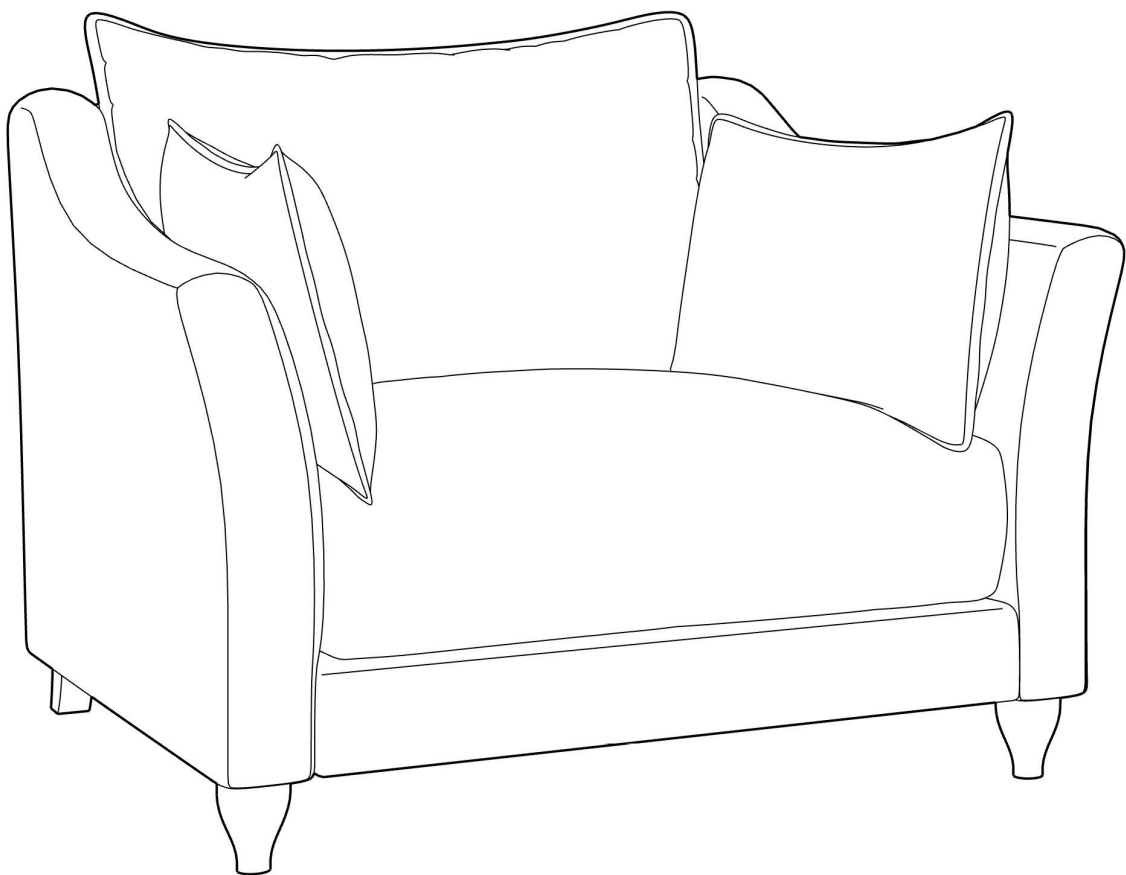


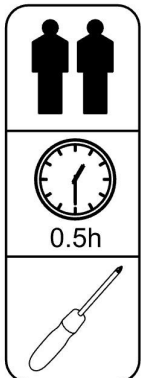
loaf

Brioche

Armchair / Love Seat

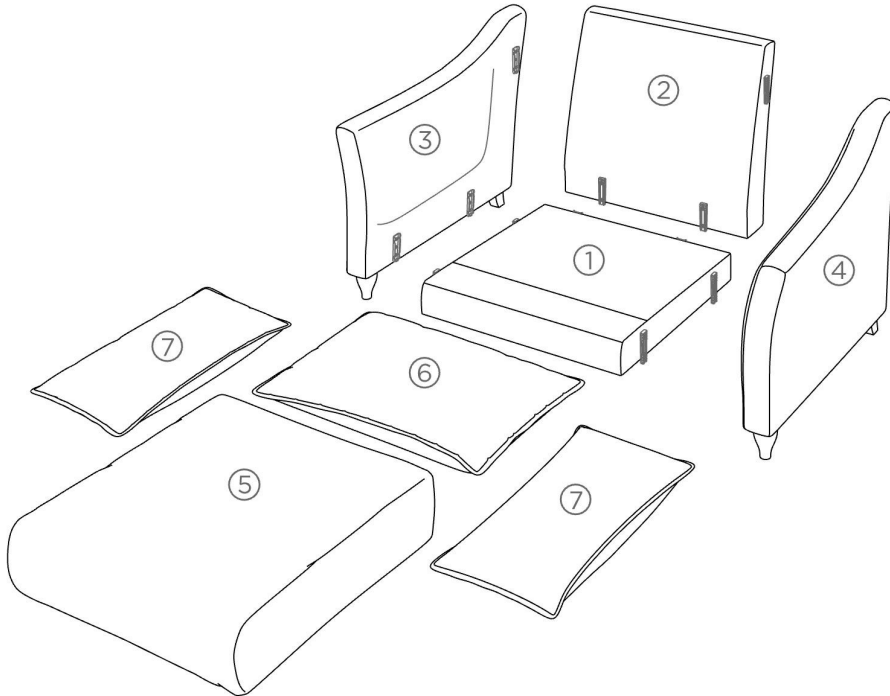









Assembly Instructions



- IMPORTANT -


READ THESE ASSEMBLY INSTRUCTIONS CAREFULLY - DO NOT SKIP ANY STEPS
RETAIN THESE INSTRUCTIONS FOR FUTURE REFERENCE



1		SEAT BOX	1
2		BACKREST	1
3		LEFT ARM	1
4		RIGHT ARM	1
5		SEAT CUSHION	1
6		BACK CUSHION	1
7		ARM CUSHIONS	2

A		FRONT LEGS	2
---	---	------------	---

B		REAR LEGS	2
---	---	-----------	---

C		WOODSCREWS	2
---	---	------------	---

D		FELT PADS	4
---	---	-----------	---

Carefully open all of the packaging and check that you have all of the parts and fittings listed above. Do not attempt to assemble or use this product if you are missing any parts. This may lead to damage to the item. Contact Loaf immediately to report any issues.

This product should be used on a levelled floor.

Always attach the provided felt pads to the bottom of each leg if you are placing the chair on a hard surface such as a wooden or stone floor.

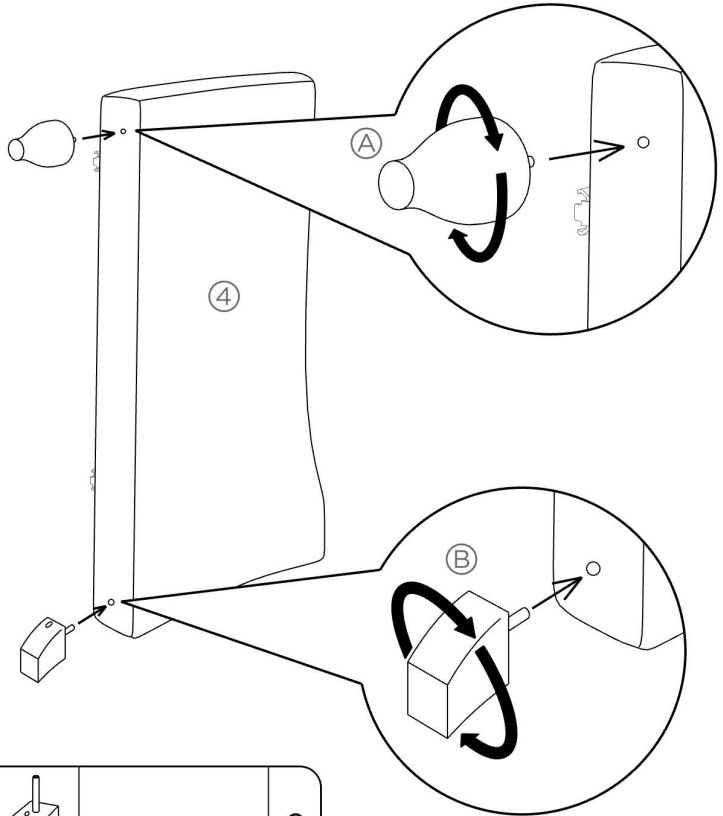
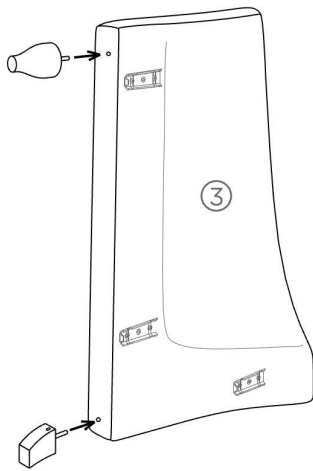
Keep this product away from strong heat sources and direct sunlight as this can cause damage to the upholstery.

Periodically check that all fittings are securely in place. Re-adjust or re-tighten as necessary.

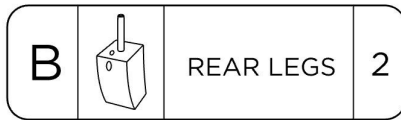
When positioning this product, do not drag. Always lift from the armrests.

This product complies to BS12520.

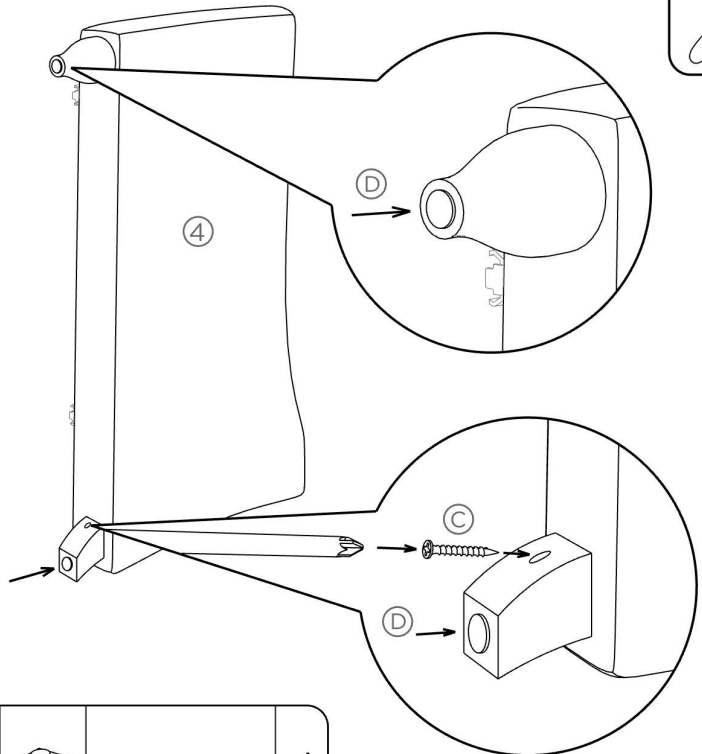
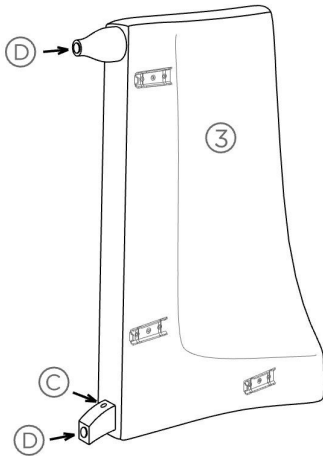
1



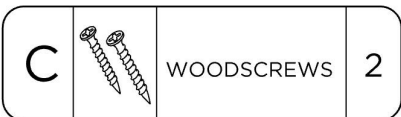
SCREW THE FRONT AND REAR LEGS INTO THE BOTTOM OF EACH ARM.



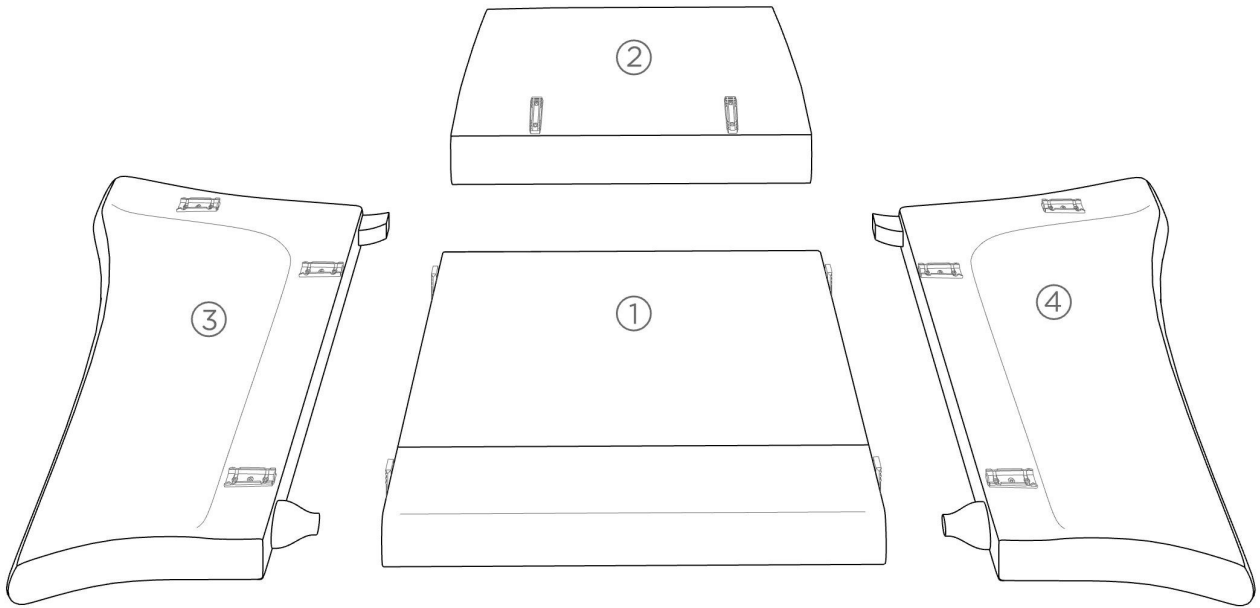
2



FIX THE POSITIONING SCREWS TO THE REAR LEGS THEN STICK THE FELT PADS TO THE BOTTOM OF EACH LEG.

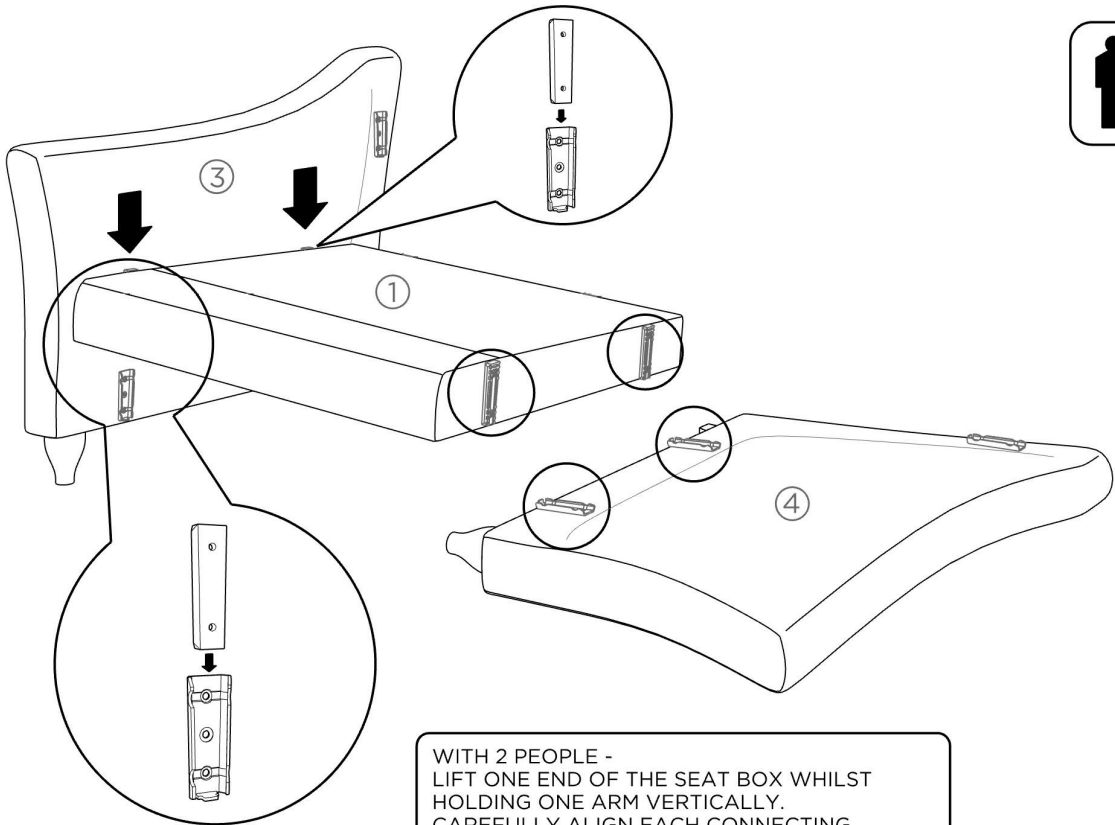


3



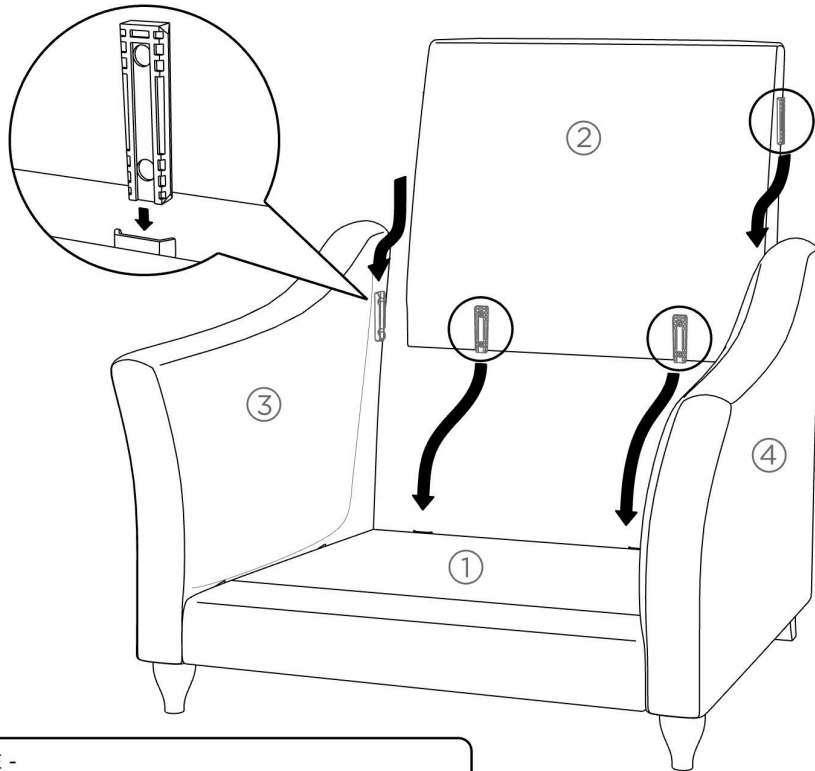
LAY OUT THE SEAT BOX, BACKREST AND ARMS READY FOR ASSEMBLY

4



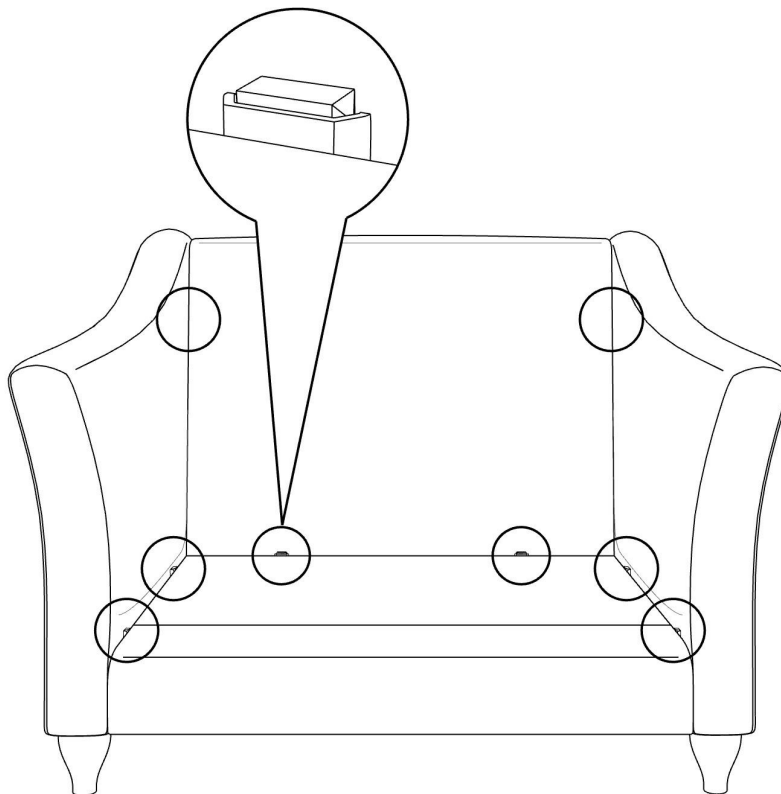
WITH 2 PEOPLE -
LIFT ONE END OF THE SEAT BOX WHILST
HOLDING ONE ARM VERTICALLY.
CAREFULLY ALIGN EACH CONNECTING
BRACKET AND FIRMLY PUSH DOWN.
REPEAT THE PROCESS ON THE OPPOSITE ARM.

5

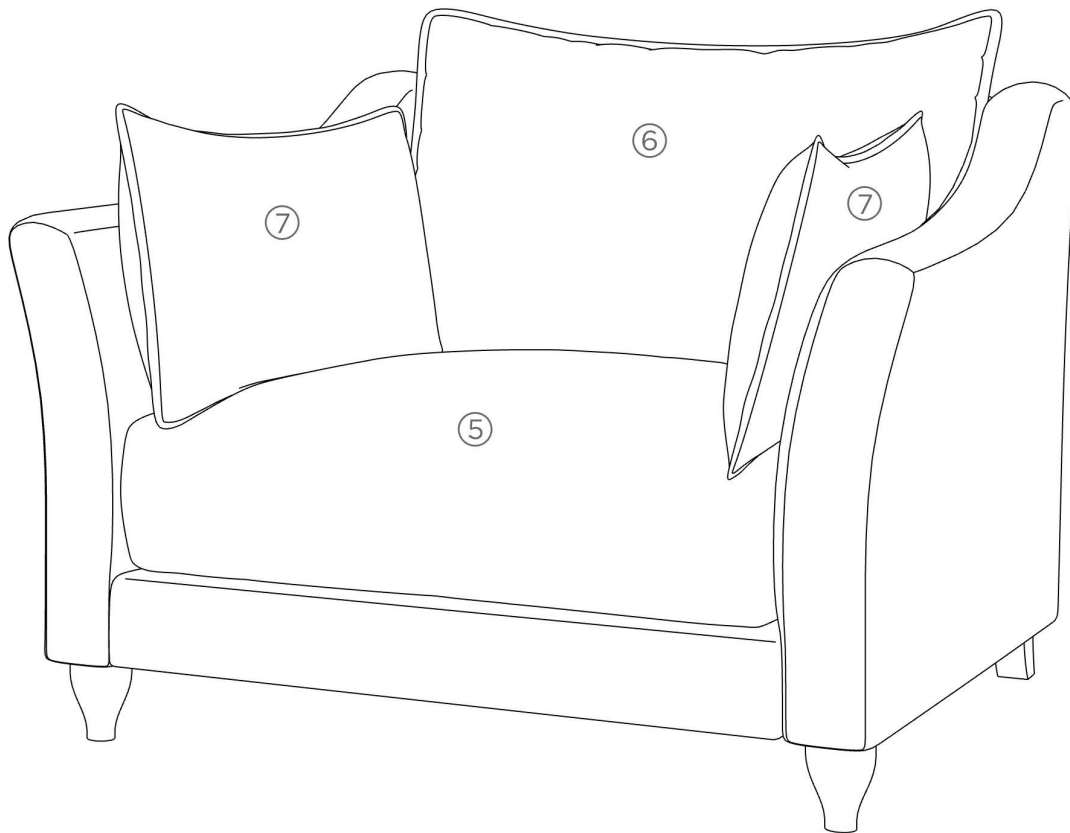


WITH 2 PEOPLE -
LIFT THE BACKREST AND PUSH INTO POSITION FROM THE REAR OF THE CHAIR. ALIGN THE TWO CENTRE BRACKETS FIRST THEN ALIGN THE SIDE BRACKETS WHILST PULLING THE ARMS IN, THEN PUSH DOWN FIRMLY.

6



IMPORTANT: CAREFULLY CHECK ALL SIX BRACKETS ARE FULLY PUSHED IN.



PLACE THE SEAT CUSHION ON FIRST THEN THE BACK CUSHION FOLLOWED BY THE ARM CUSHIONS.
TOP TIP! IF YOU HAVE CHOSEN VELVET YOU MAY NEED TO SMOOTH THE FABRIC IN ONE DIRECTION.

Disassembly Instructions

