

Make sure it fits

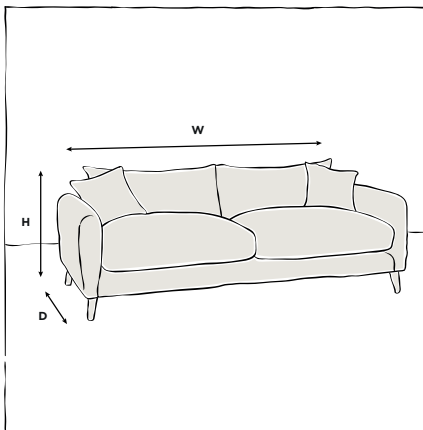
Sofa

We want you to loaf happily ever after. To keep things laid back and relaxed on delivery day, we suggest you double-check the dimensions of your chosen sofa before placing your order. That way you'll have the peace of mind that our delivery crew will be able to fit it through your front door and squeeze around any tight hallways, stairs or landings.

Psst... Because every sofa from Loaf is handmade, our squish can vary in size by approximately 3cm. So if your measurements come up a little tight we recommend sticking on the safe (smaller) side. That'll mean on delivery day our delivery crew won't have to hold their breath!

If you need any more help, just give our Chatterboxes a ring on 0203 141 8300.

Tape measure at the ready now...



Measuring up your sofa

First, scribble down the dimensions of your sofa in the boxes below. You can find dimensions for all of our sofas on our website (loaf.com, if you didn't already know). You'll need to refer to these as you take the various measurements around your home, so keep them handy.

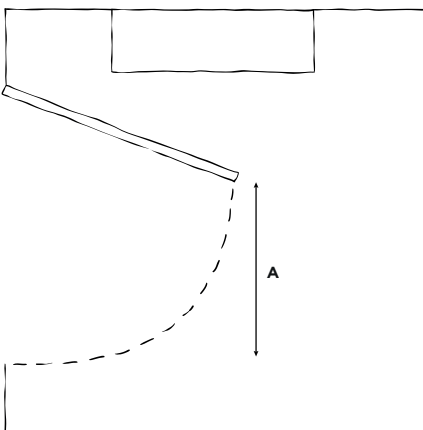
WIDTH

DEPTH

HEIGHT

Good to know:

Our delivery crew can remove sofa legs to make delivery a doddle. Our standard legs range from 3.5cm to 12cm in height. We also offer the option of tall legs (21cm) if you're partial to a higher seat.



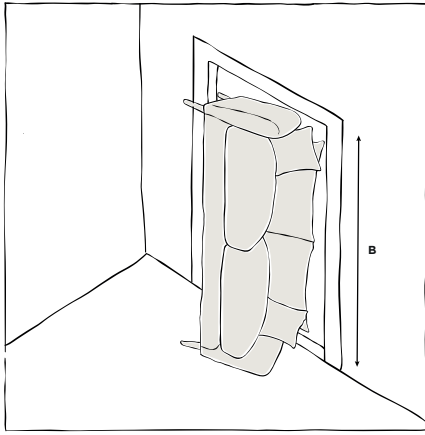
Front Door - option 1

Open your door as wide as possible and measure from the outer edge of the door to the inner edge of the doorframe (A). Always measure from the narrowest point. Record measurements here:

A

Is (A) greater than your sofa's height (H)?

If yes, then good news, you can move onto 'HALLWAY AND INTERNAL DOORS'. If no, then don't fret, simply go to Option 2 on the next page.



Front Door - option 2

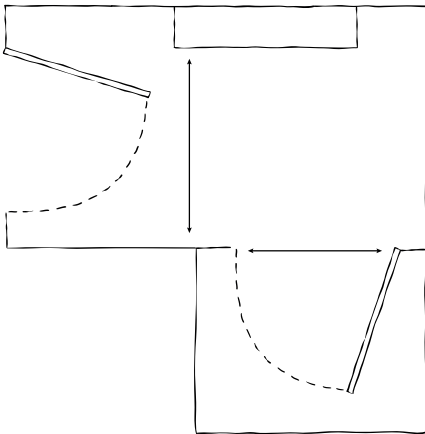
If Option 1 doesn't work then our delivery crew will try to carry the sofa upright through the door. Record the height of your door frame (B) here:

B

Is (B) higher than your sofa's length (W)? If yes, then it should fit, provided that you have enough room in your hallway and your sofa has a lower or curved back (C) that will allow it to arch round the door frame.

Good to know:

If your sofa is cutting it fine, we can add removable arms to some models to give a few inches of wiggle room. You can add them to your online order when selecting the size of your sofa. Check out our website to see if removable arms are available in your chosen style of sofa or call our Chatterboxes if you're feeling stuck.

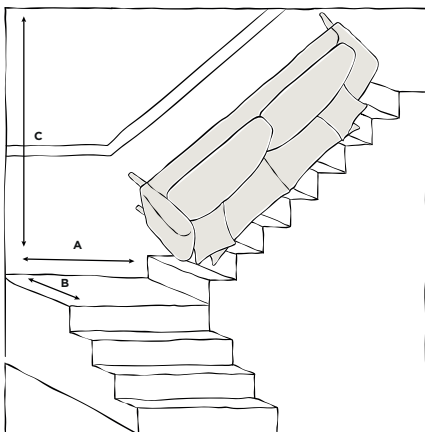


Hallway and Internal doors

WIDTH

Measure the width of your hallway at its narrowest point and check if it's wider than the height of your sofa. Don't forget to consider light fixtures and handrails in your measurements, we don't want to bash anything on the way by.

For internal doors ensure there is enough space inside and outside the room to manoeuvre. To do this, simply follow the same instructions as 'FRONT DOOR'.



Landing

(A) WIDTH

(B) DEPTH

(C) HEIGHT

Measure the width of your stairs at their narrowest point, not forgetting to account for handrails and light fixtures. Is (W) wider than the height of your sofa? If yes, yipee, it should fit!

If there's a landing, then measure the width, depth and height of your landing. As long as these measurements are all larger than the dimensions of your sofa, you should be a-okay.

If you have a bannister and need to lift it over, check that the distance between the bannister and the ceiling is greater than the depth of the sofa at the narrowest height.